

3/8 BSPT NON-VALVED COUPLING BODY

Part #: **VCL10006 BSPT**

Connection Type: In Line Pipe Threaded

Material: Brass

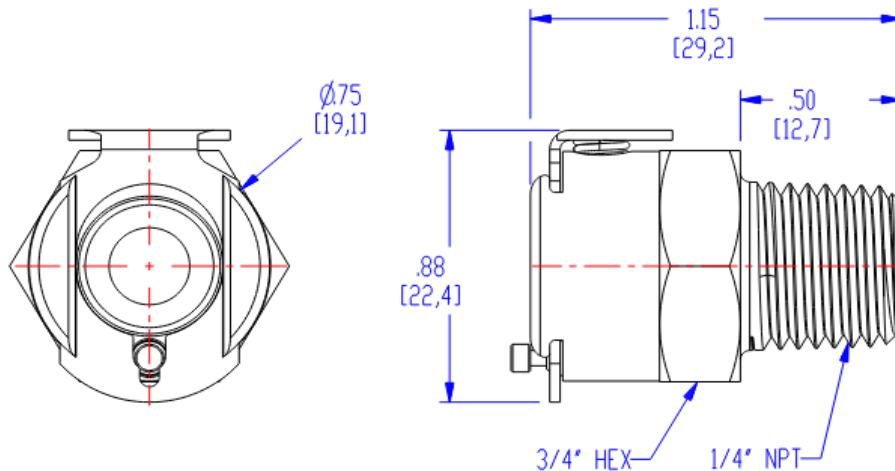
Finish: Chrome Plated

Pressure Range: Vacuum to 250 psi, 17.3 bar

Temp. Range: -40°F to 180°F (-40°C to 82°C)

Mounting Option: Thread 3/8" BSPT

Valve Option: Non-Valved



Components:

Main Body: Chrome Plated Brass

Thumb Latch: Stainless Steel

External Spring: Stainless Steel

Seal: Nitrile